



Woodruff Scientific Inc

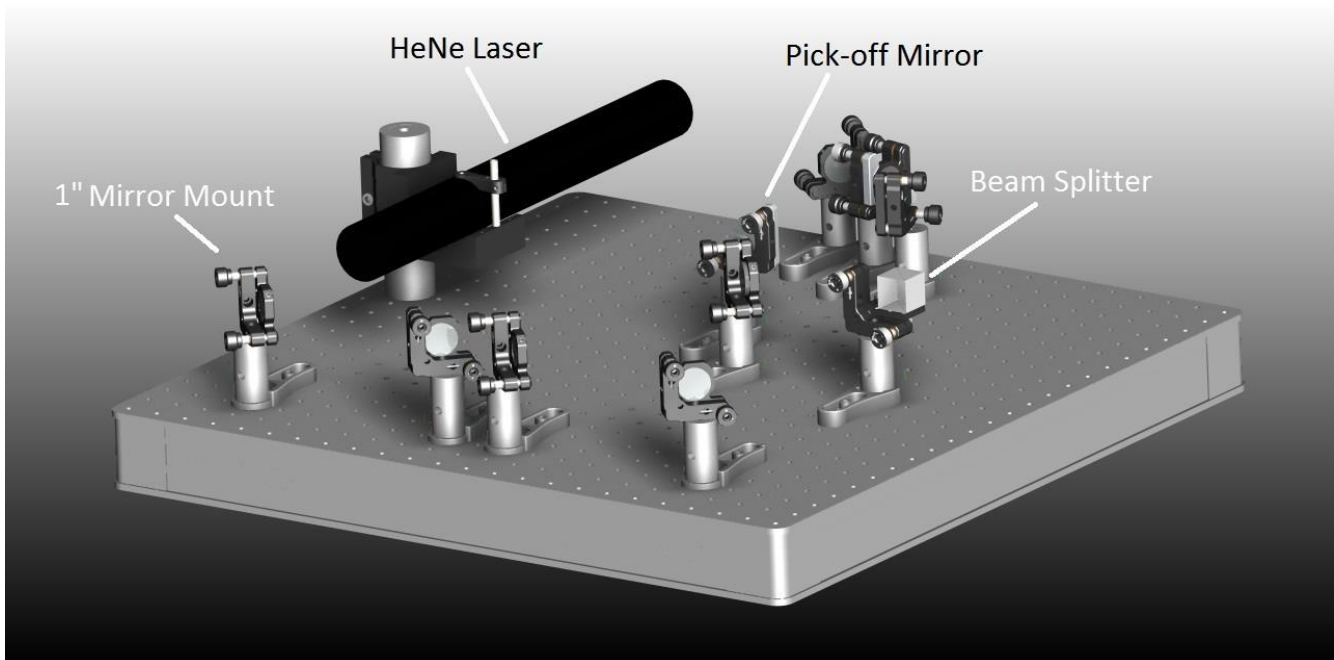
4000 Aurora Ave N,
Suites 5 & 6, Seattle, WA 98103
(206) 905 9477 8am to 5pm Pacific
sales@woodruffscientific.com
<http://www.woodruffscientific.com>

Model number(s): R1-HeNe

Descriptive name: HeNe Unequal Path Length Interferometer

Features:

- Measures line-integrated plasma density
- Unequal path length for cost-effective and compact design
- Heterodyne configuration
- Vibration isolation table available at extra cost
- Custom configurations available



© Woodruff Scientific Inc, 4000 Aurora Ave N, Suites 5&6, Seattle, WA 98103

Sales: sales@woodruffscientific.com (206) 905 9477



Woodruff Scientific Inc

4000 Aurora Ave N,
Suites 5 & 6, Seattle, WA 98103
(206) 905 9477 8am to 5pm Pacific
sales@woodruffscientific.com
<http://www.woodruffscientific.com>

Model number(s): R1-HeNe

Descriptive name: HeNe Unequal Path Length Interferometer

Operational ratings:

Electron Line Density: $\geq 10^{21} / \text{m}^2$

Options:

Laser: 5mW standard
Higher powers available

AOM: 80 MHz standard

Feedthroughs: 2-3/4" ConFlat mounts standard

Controls: National Instruments DAQ and controls available
Contact us for more information on interfacing with your experiment

Signal Output:

Quadrature mixer/splitter outputs sin and cos of phase difference. Example software for calculating line-integrated density available.

© Woodruff Scientific Inc, 4000 Aurora Ave N, Suites 5&6, Seattle, WA 98103

Sales: sales@woodruffscientific.com (206) 905 9477

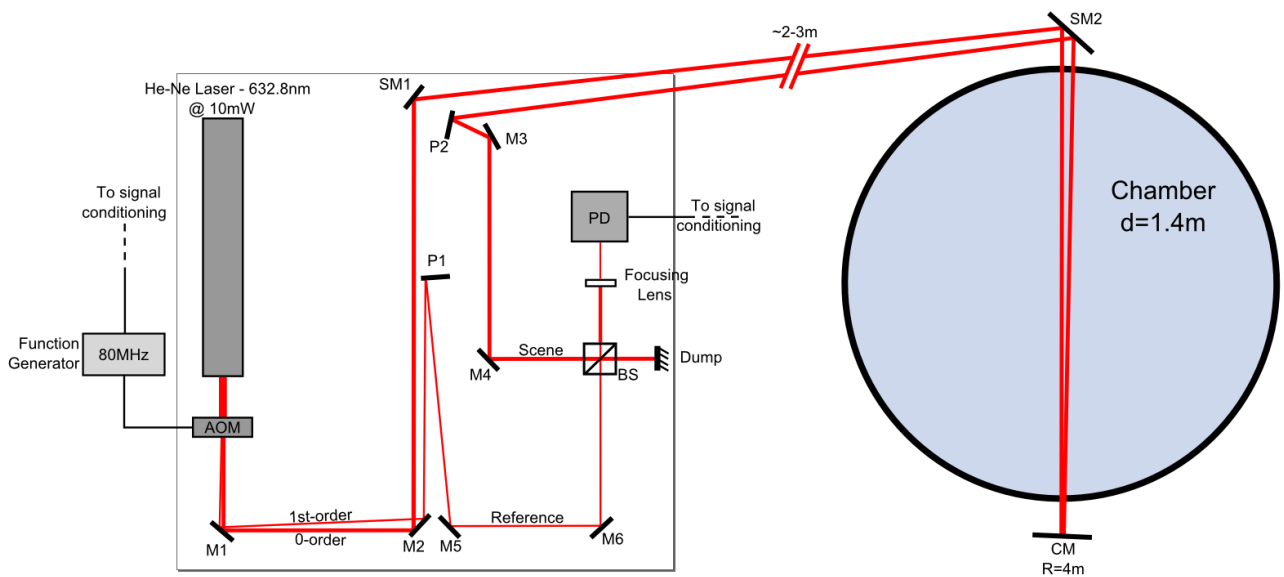


Woodruff Scientific Inc

4000 Aurora Ave N,
Suites 5 & 6, Seattle, WA 98103
(206) 905 9477 8am to 5pm Pacific
sales@woodruffscientific.com
<http://www.woodruffscientific.com>

Model number(s): R1-HeNe
Descriptive name: HeNe Unequal Path Length Interferometer

Schematics:



Layout Schematic

© Woodruff Scientific Inc, 4000 Aurora Ave N, Suites 5&6, Seattle, WA 98103

Sales: sales@woodruffscientific.com (206) 905 9477

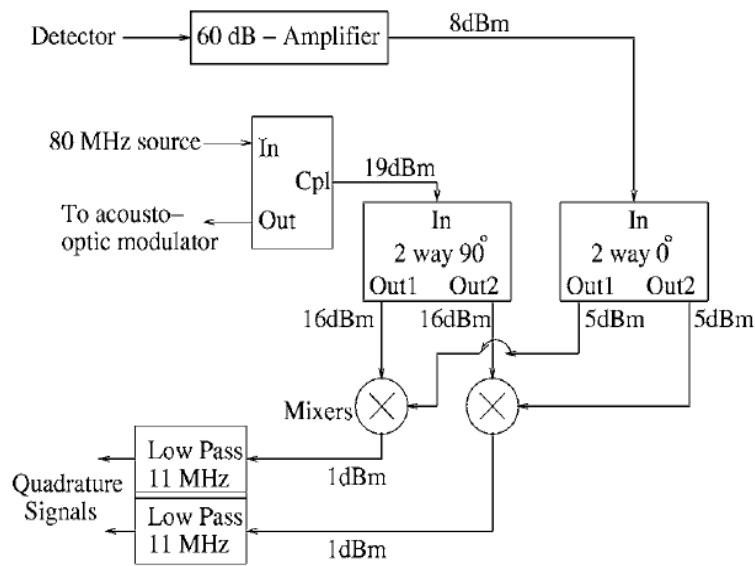


Woodruff Scientific Inc

4000 Aurora Ave N,
Suites 5 & 6, Seattle, WA 98103
(206) 905 9477 8am to 5pm Pacific
sales@woodruffscientific.com
<http://www.woodruffscientific.com>

Model number(s): R1-HeNe

Descriptive name: HeNe Unequal Path Length Interferometer



RF Circuit Schematic

© Woodruff Scientific Inc, 4000 Aurora Ave N, Suites 5&6, Seattle, WA 98103

Sales: sales@woodruffscientific.com (206) 905 9477

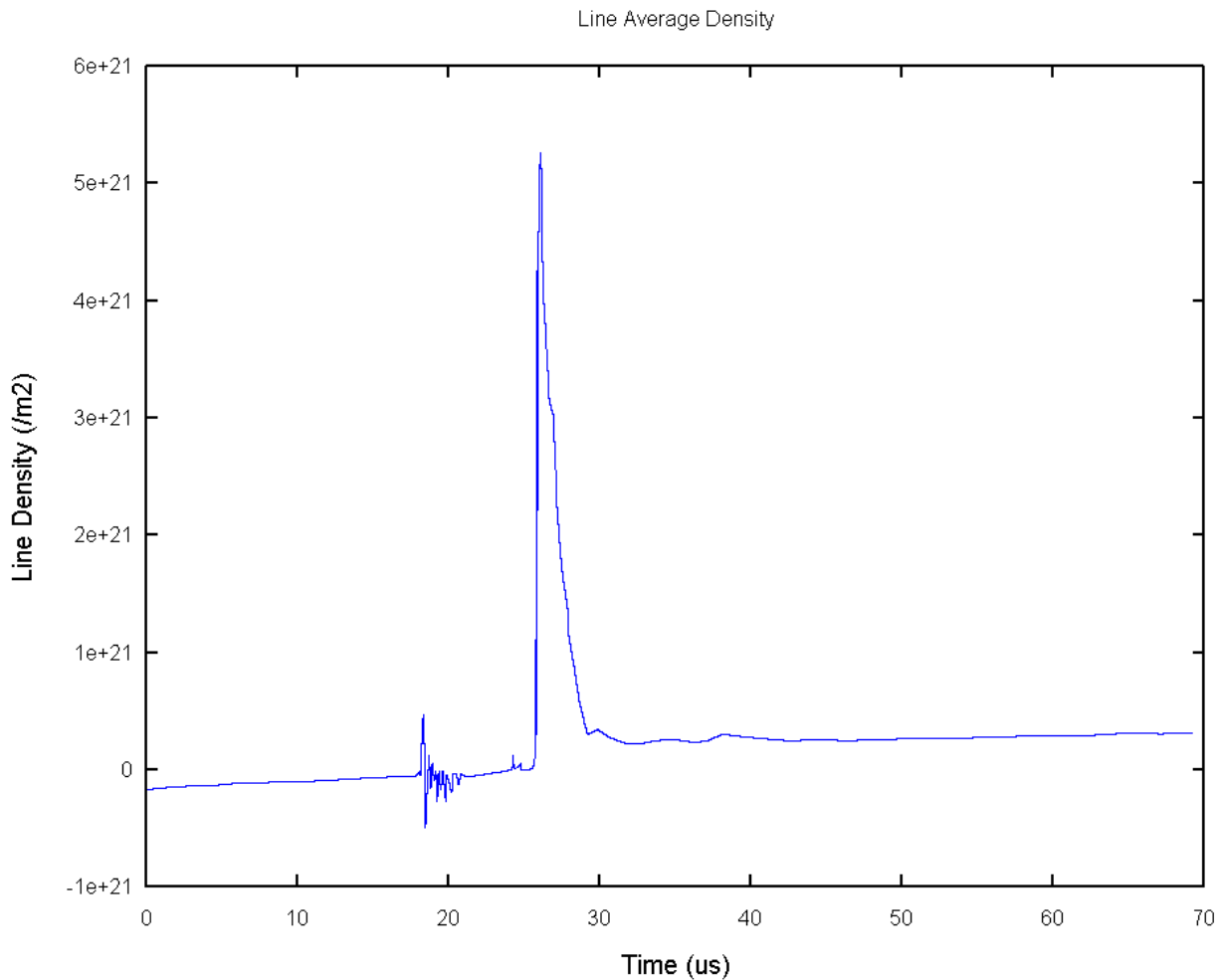


Woodruff Scientific Inc

4000 Aurora Ave N,
Suites 5 & 6, Seattle, WA 98103
(206) 905 9477 8am to 5pm Pacific
sales@woodruffscientific.com
<http://www.woodruffscientific.com>

Model number(s): R1-HeNe
Descriptive name: HeNe Unequal Path Length Interferometer

Example Data:



Line Density interpretation (simulated signal)

© Woodruff Scientific Inc, 4000 Aurora Ave N, Suites 5&6, Seattle, WA 98103

Sales: sales@woodruffscientific.com (206) 905 9477