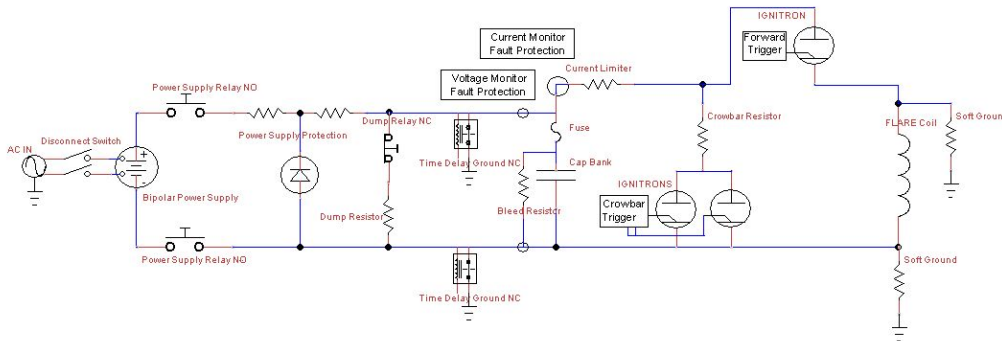
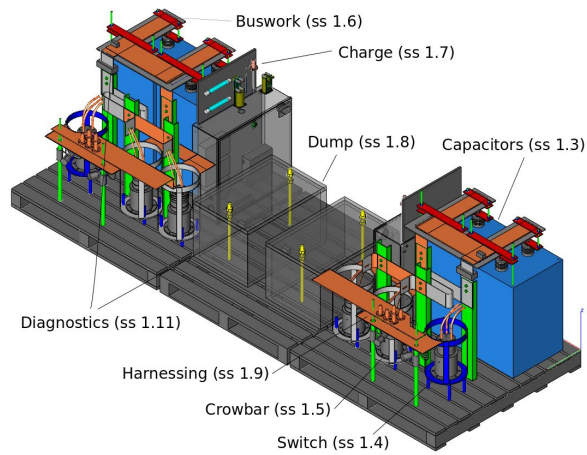
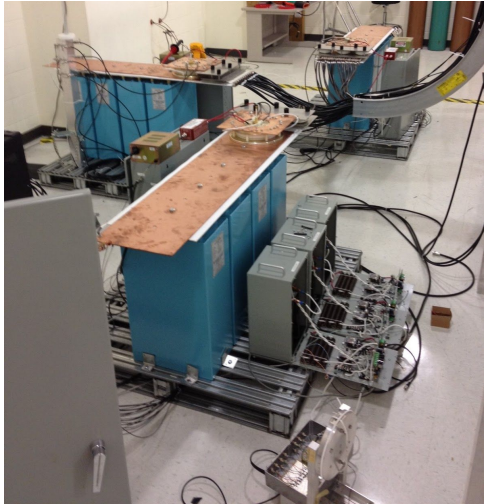




# Pulsed Power Newsletter

Pulsed Power for plasmas, diagnostics, sources, and more.



November 6th 2017

In the last 12 months we have designed and developed 20 separate pulsed power circuits for driving radar systems, high power microwave sources, plasma experiments, and more.

Do you need help designing or building a pulsed power configuration? [Chat with our engineers](#) and we'll work with you to find a cost-effective design.

See More Pulsed Power Projects on our [website](#)

---

## Custom Power Solutions

A close relationship with our customers is the key to designing the best custom pulsed power systems. A typical design and build commences with conference calls with our talented team of engineers and in some cases a trip to your facility to reach a design point. We strive to offer the most efficient, cost effective solutions possible and incorporate robust features to meet our customer's evolving requirements.

## Our customers are happy

“Princeton University contracted WSI to design the capacitor banks for the FLARE experiment that is being built at PPPL. In my role of power electronics control engineer I was the main technical point of contact at PPPL. The contract included circuit simulations, dimensioning of components, design of the control system, as well as the creation of the electrical and mechanical design for all capacitor banks. Throughout the contract the collaboration with WSI was extremely fruitful. Throughout the work WSI provided creative and useful solutions for design challenges clearly showing that they had a deep understanding of the problem space and experience in providing solutions. Everybody at WSI was very committed to keep the project moving forward and on schedule, even though that meant a number a long days (and nights). I will definitely keep WSI in mind for other projects that require prototype/first article design and development.”

Frank Hoffmann, Princeton University Plasma Physics Laboratory

[READ MORE ON OUR WEBSITE](#)



Woodruff Scientific Inc  
3900 Paseo Del Sol, Santa Fe, NM 87507  
4000 Aurora Ave N, Seattle, WA 98103